

Note

points ④ and ⑤ (assembly of covers) should be made after applying the display cube (skip the above steps for the basic version without covers)

## The extended stand assemble kit includes:

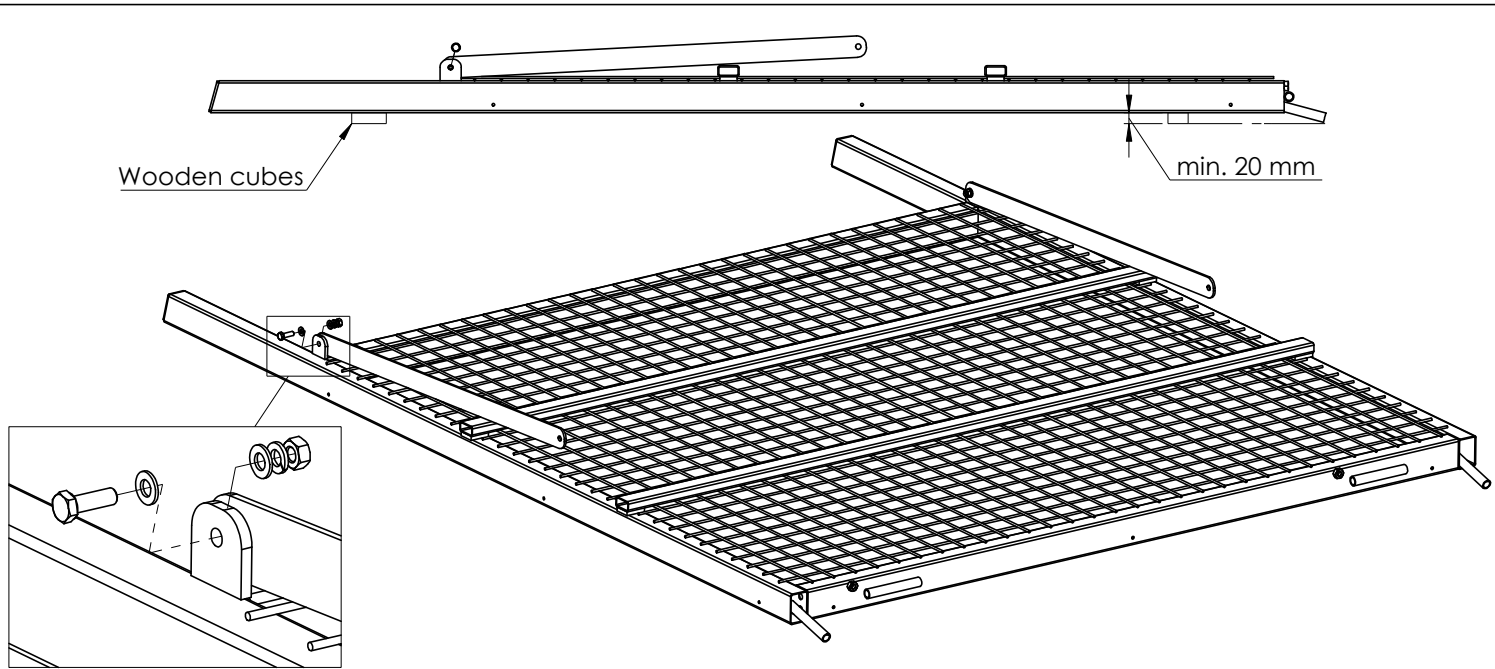
12	Hex screw M8-25	PN-85/M-82101	6
11	Spring washer - Z8	DIN 127	4
9	Nut - M8	DIN 934	4
8	Washer - 8	DIN 125	8
7	Self-tapping screw ST4,2 L13	DIN 7976	12
<b>6</b>	<b>Cover-side</b>	<b>2020.031.4</b>	<b>3</b>
<b>5</b>	<b>Cover -upper</b>	<b>2020.031.2</b>	<b>1</b>
<b>4</b>	<b>Connector</b>	<b>2020.031.1</b>	<b>2</b>
<b>3</b>	<b>Information frame</b>	<b>2020.031.03.00S</b>	<b>1</b>
<b>2</b>	<b>Passive frame</b>	<b>2020.031.02.00S</b>	<b>1</b>
<b>1</b>	<b>Active frame</b>	<b>2020.031.01.00S</b>	<b>1</b>
No.	Part	Standard	Pcs.



## Tools needed:

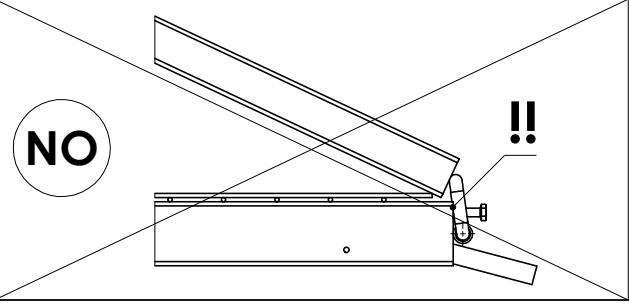
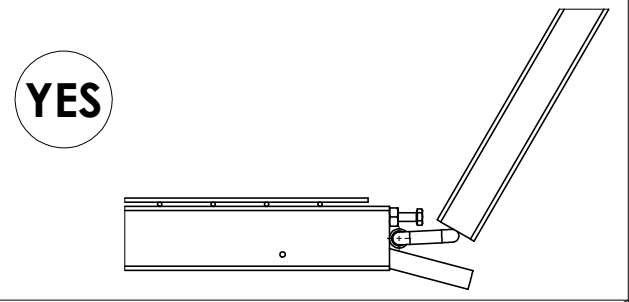
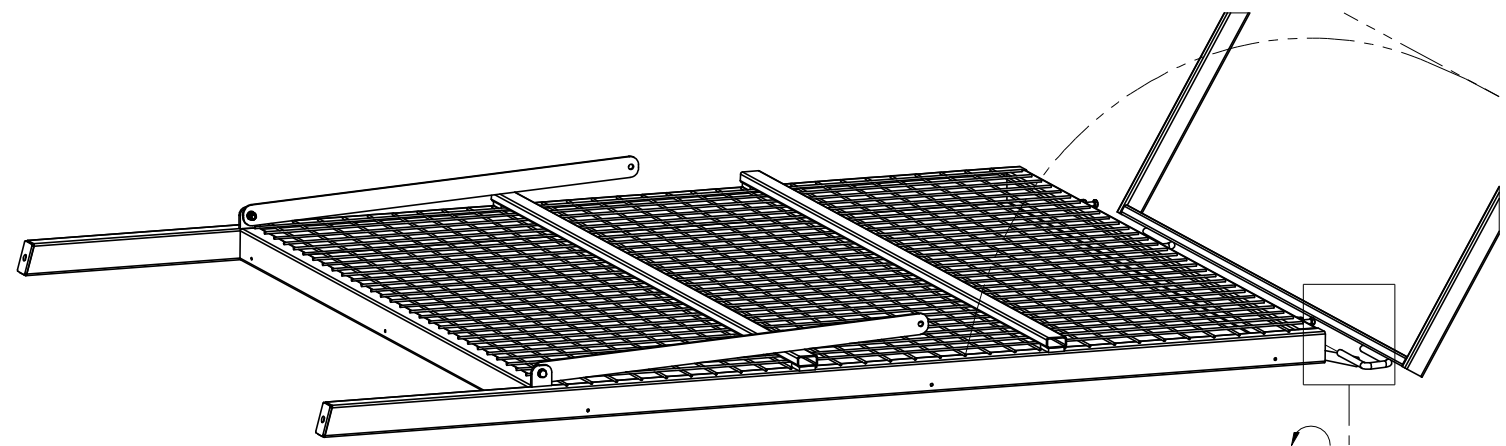
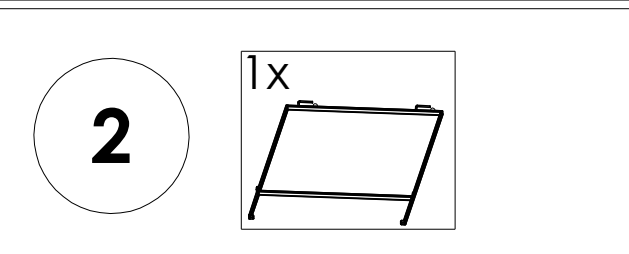
- \* Flat wrench/socket wrench 13 pcs. 2
- \* Flat wrench/socket wrench 8 pcs. 1
- \* Wooden or other cubes pcs. 4  
(for laying the frame during assembly and storage)

Assemble instructions		Product: Display stand 1500x1500		
Instruction no.: ISW1515.1en	Project no.: 2020.031.00	Version: Alin	Created: 2020-03-13 Update: 23.05.2021	Page: 1z4
STALMIKA Sp z o. o. MYŚLENICE 32-400, ul. Sienkiewicza 21				STALMIKA



2x		1x	
4x		2x	
2x		2x	

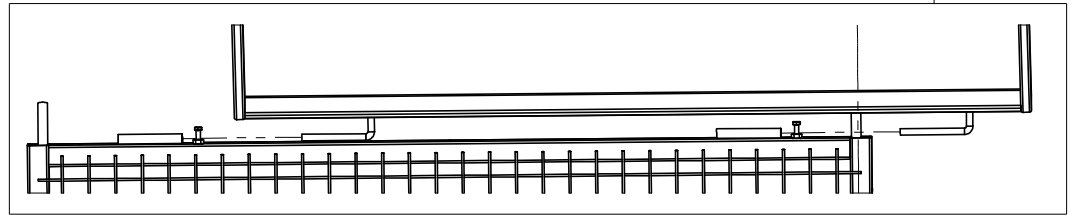
1



See step 3

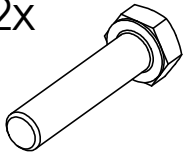
▶▶▶

3

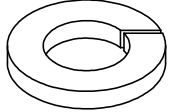


3

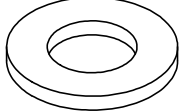
2x



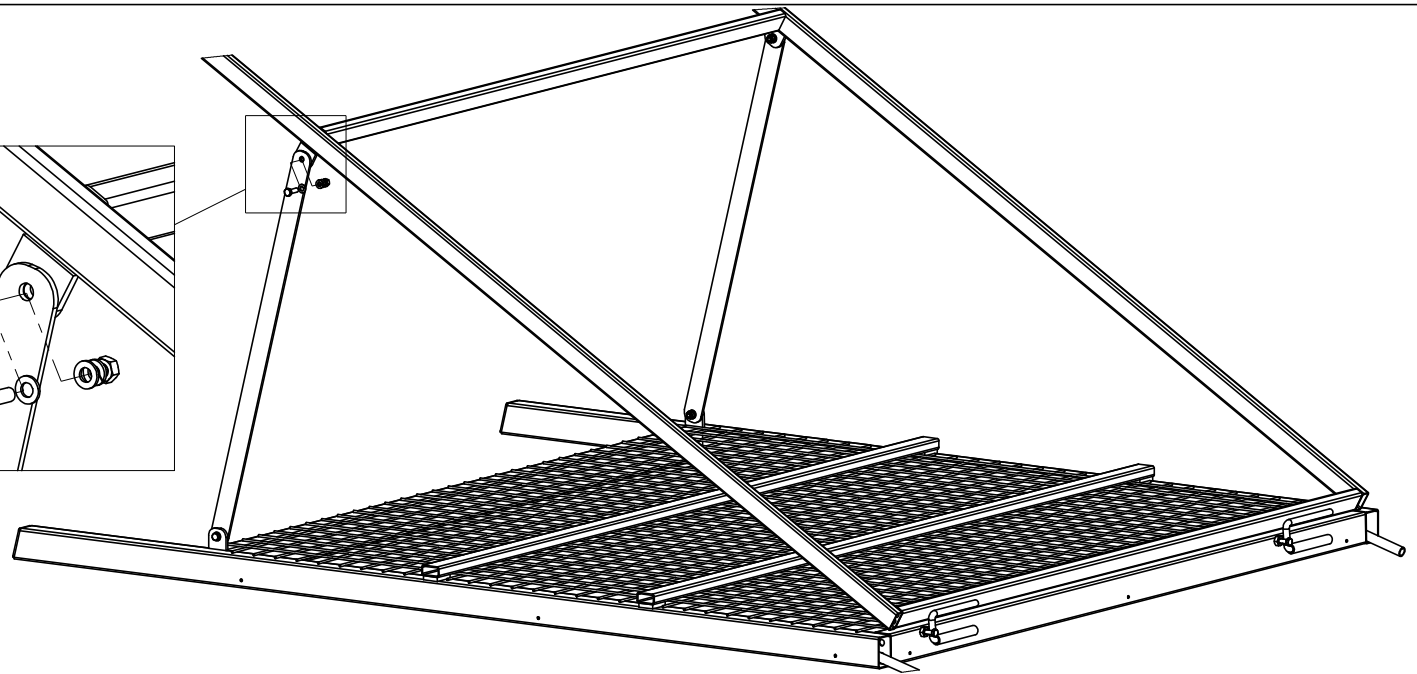
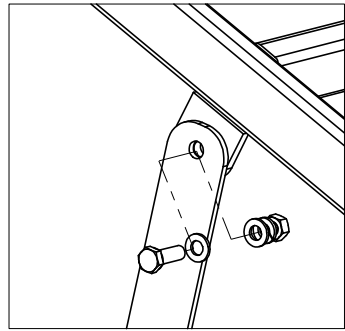
2x



4x



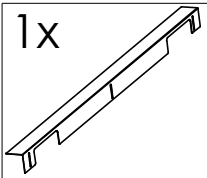
2x



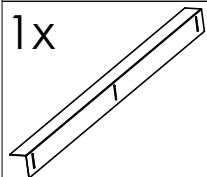
Assemble covers only after applying the display cube (skip the above steps for the basic version without covers !!)

4

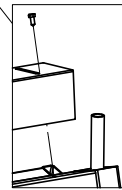
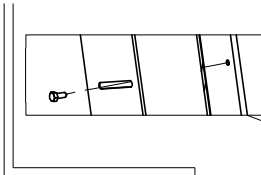
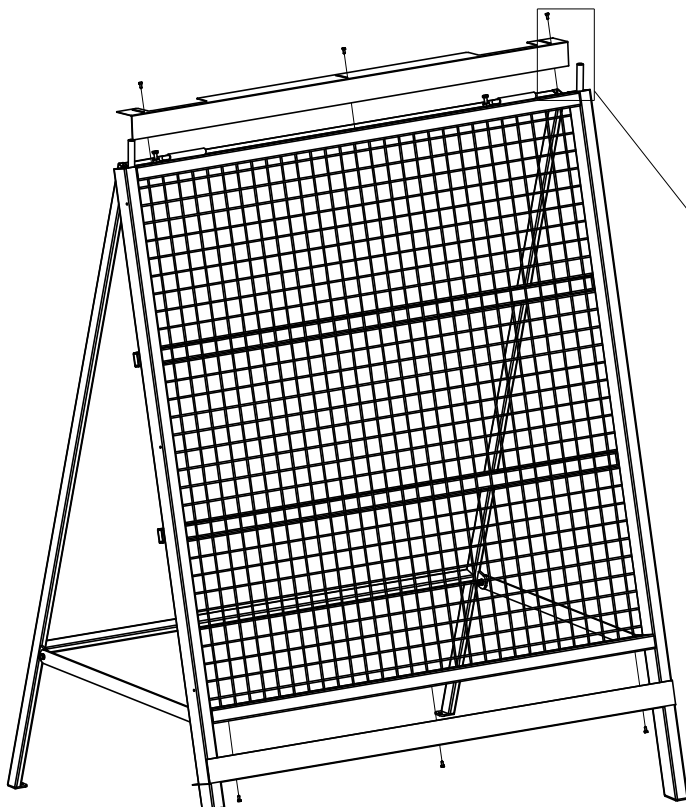
1x



1x

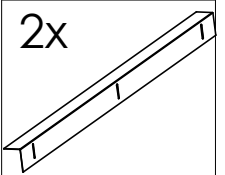


6x

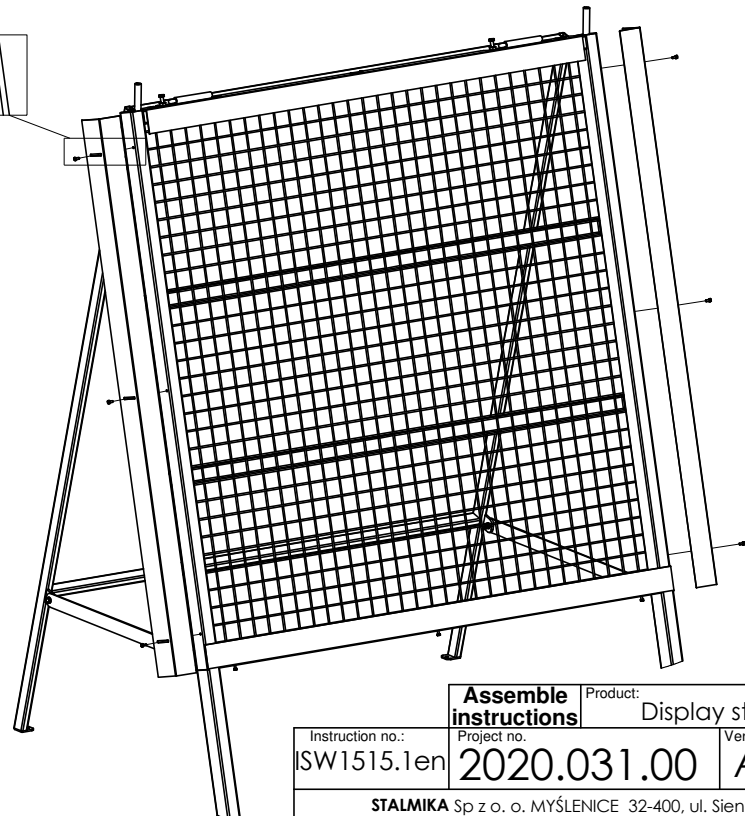


5

2x



6x

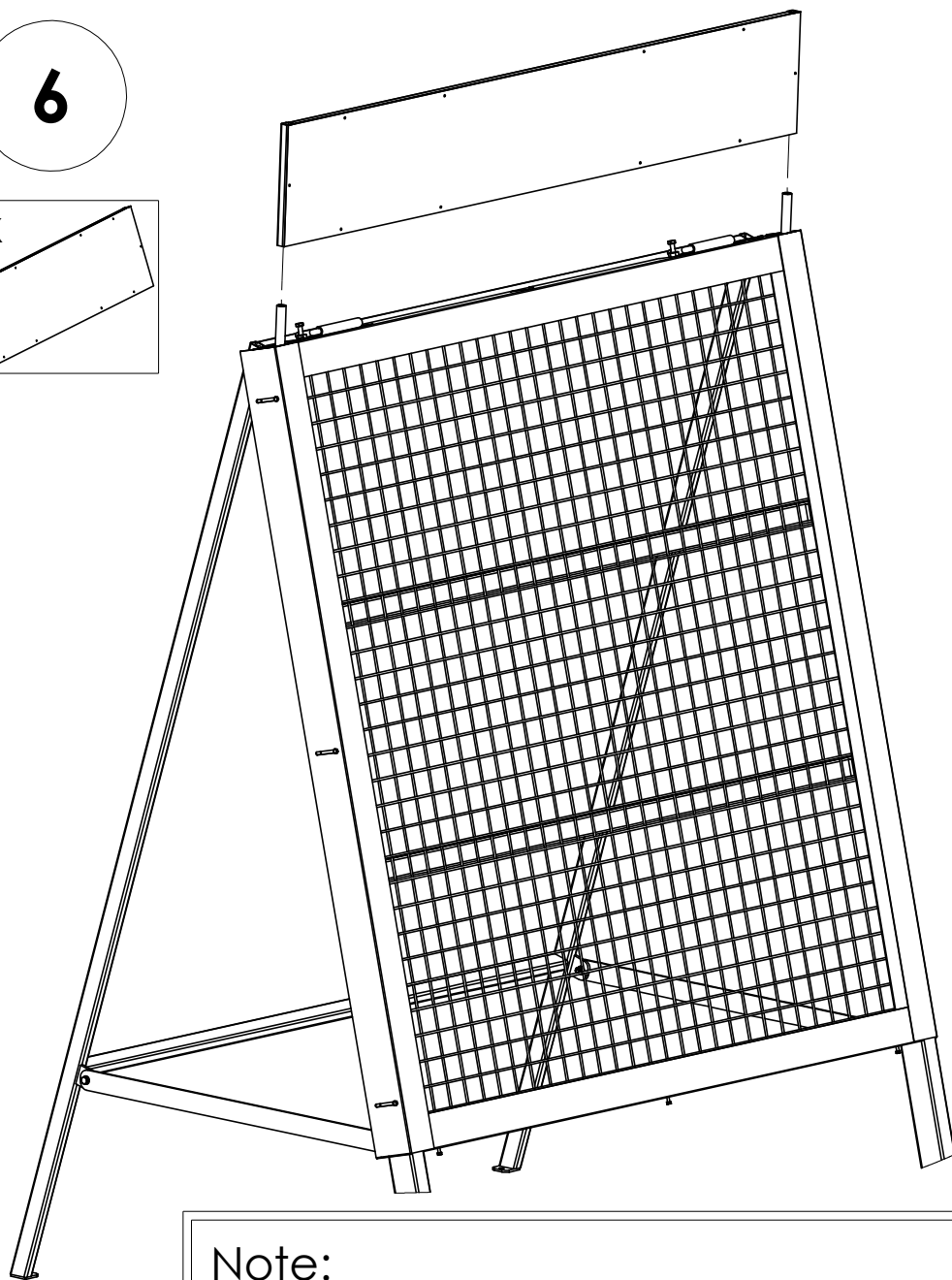
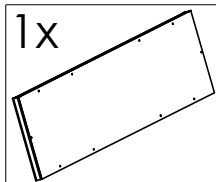


Assemble instructions Product: Display stand 1500x1500

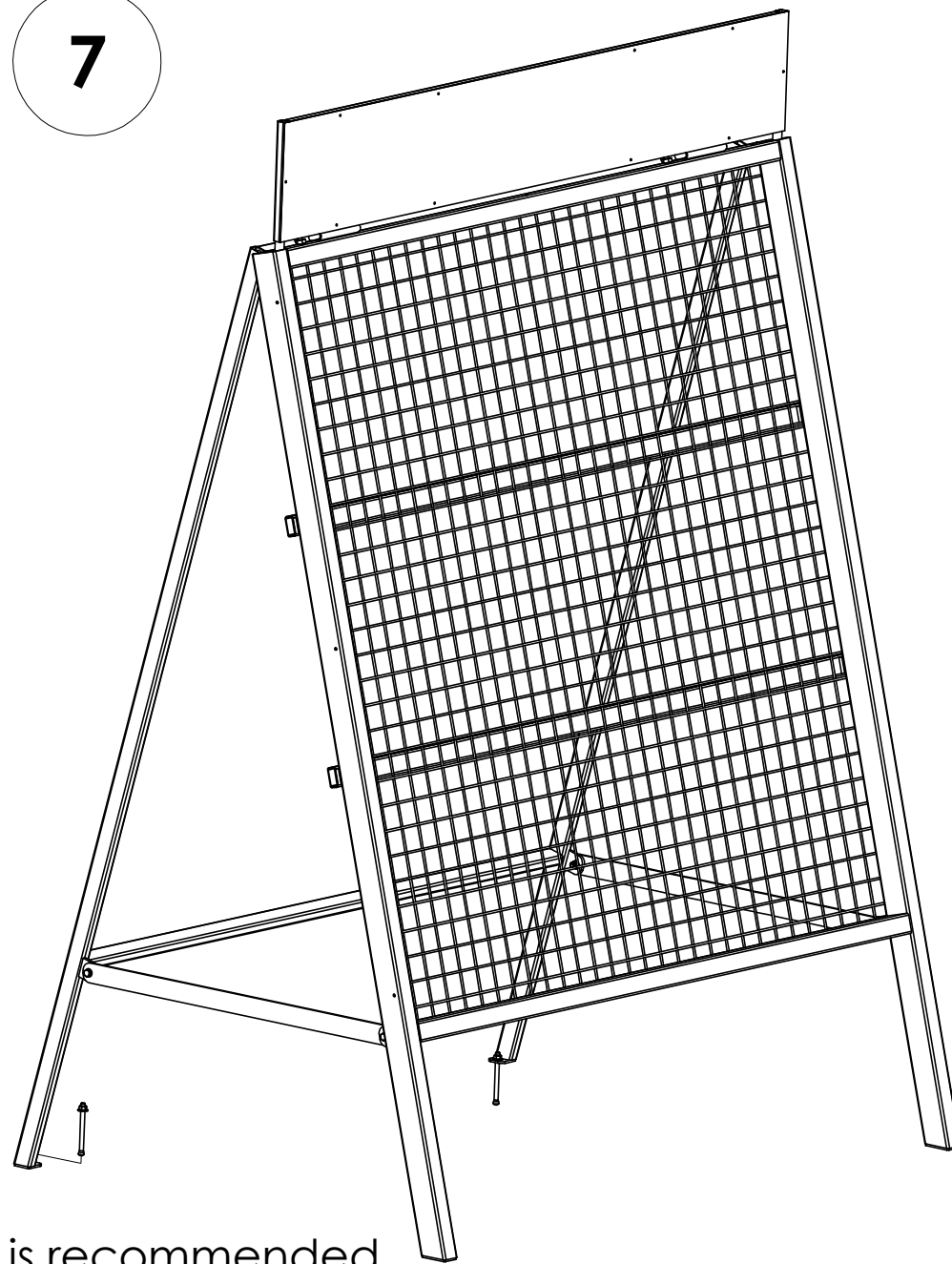
Instruction no.:	Project no.:	Version:	Created:	Page:
ISW1515.1en	2020.031.00	Alin	2020-03.13	1z4
			Update:	
			23.05.2021	

6

1x



7



Note:

Depending on the stand's location, it is recommended to anchor it - Anchors **fi8mm**

- anchors not included
- length depends on available substrate (follow general practice)

Assemble instructions Product: Display stand 1500x1500

Instruction no.: ISW1515.1en	Project no.: 2020.031.00	Version: Alin	Created: 2020-03.13 Update: 23.05.2021	Page: 1z4
------------------------------	--------------------------	---------------	---	-----------