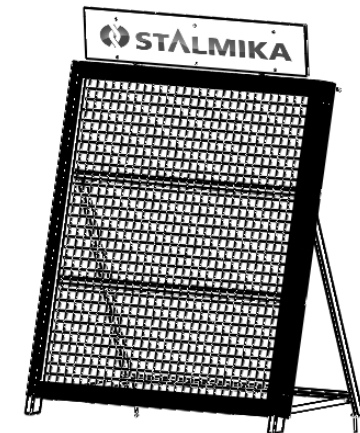


Note

points ④ and ⑤ (assembly of covers) should be made after applying the display cube (skip the above steps for the basic version without covers)

The extended stand assemble kit includes:

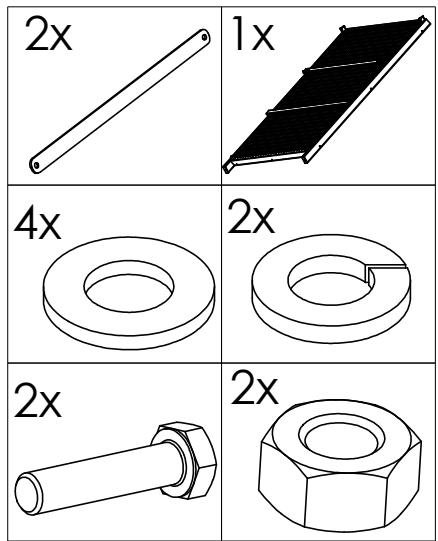
| | | | |
|-----|------------------------------|------------------------|----------|
| 13 | Nut - M8 | DIN 934 | 6 |
| 12 | Spring washer - Z8 | DIN 127 | 6 |
| 10 | Washer - 8 | DIN 125 | 12 |
| 9 | Hex screw M8-50 | PN-85/M-82101 | 2 |
| 8 | Hex screw M8-25 | PN-85/M-82101 | 4 |
| 7 | Self-tapping screw ST4,2 L13 | DIN 7976 | 16 |
| 5 | Cover -upper | 2020.031.2 | 2 |
| 6 | Cover-side | 2020.031.4 | 2 |
| 4 | Connector | 2020.071.1 | 2 |
| 3 | Information frame | 2020.071.03.00S | 1 |
| 2 | Rear frame | 2020.071.02.00S | 1 |
| 1 | Front frame | 2020.071.01.00S | 1 |
| No. | Part | Standard | Pcs. |



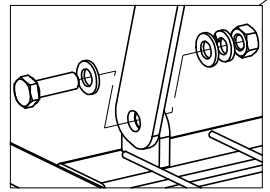
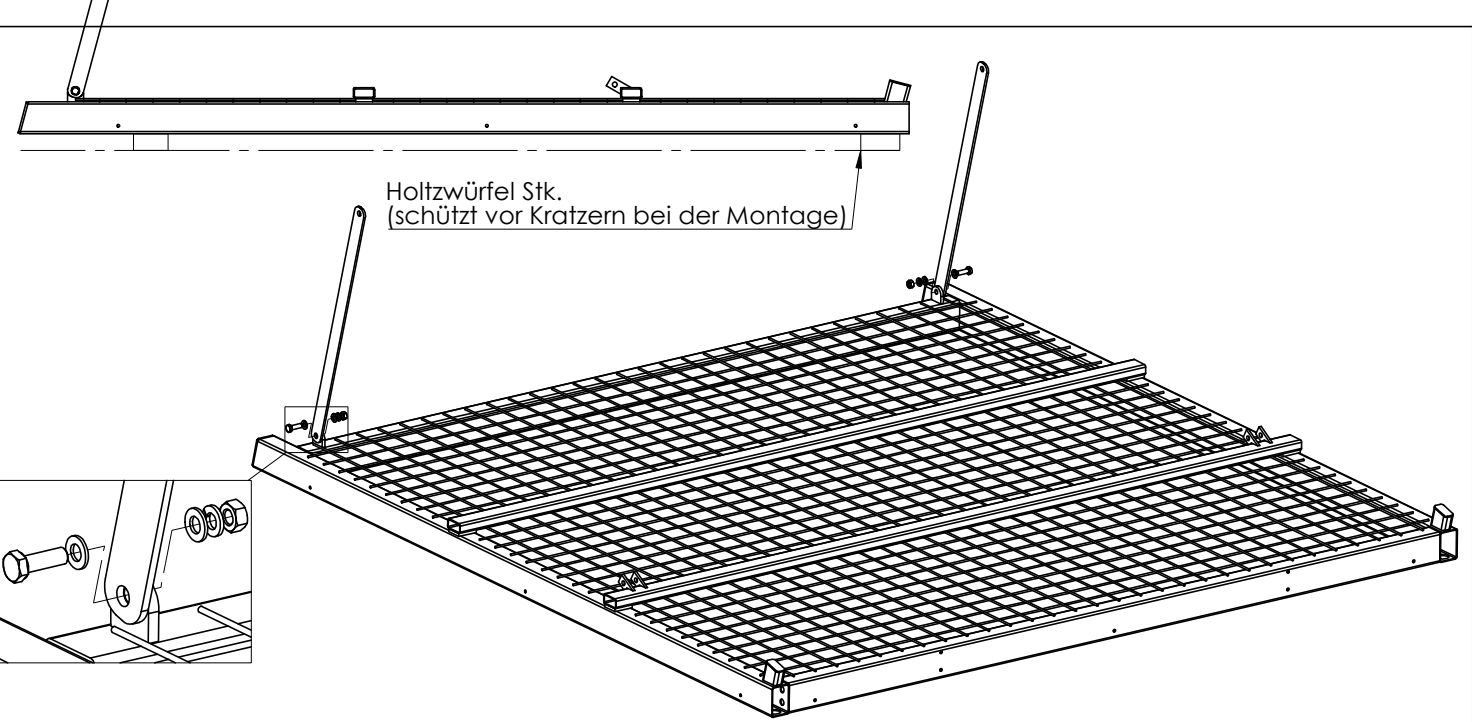
Tools needed:

- * Flat wrench/socket wrench 13 pcs. 2
 - * Flat wrench/socket wrench 8 pcs. 1
 - * Wooden or other cubes pcs. 4
- (for laying the frame during assembly and storage)

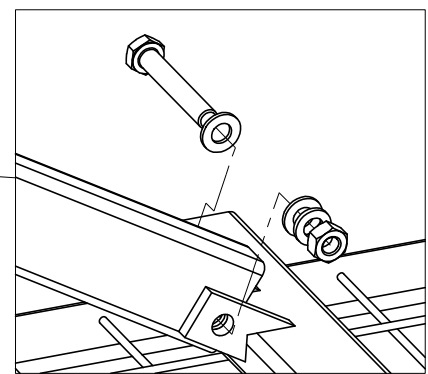
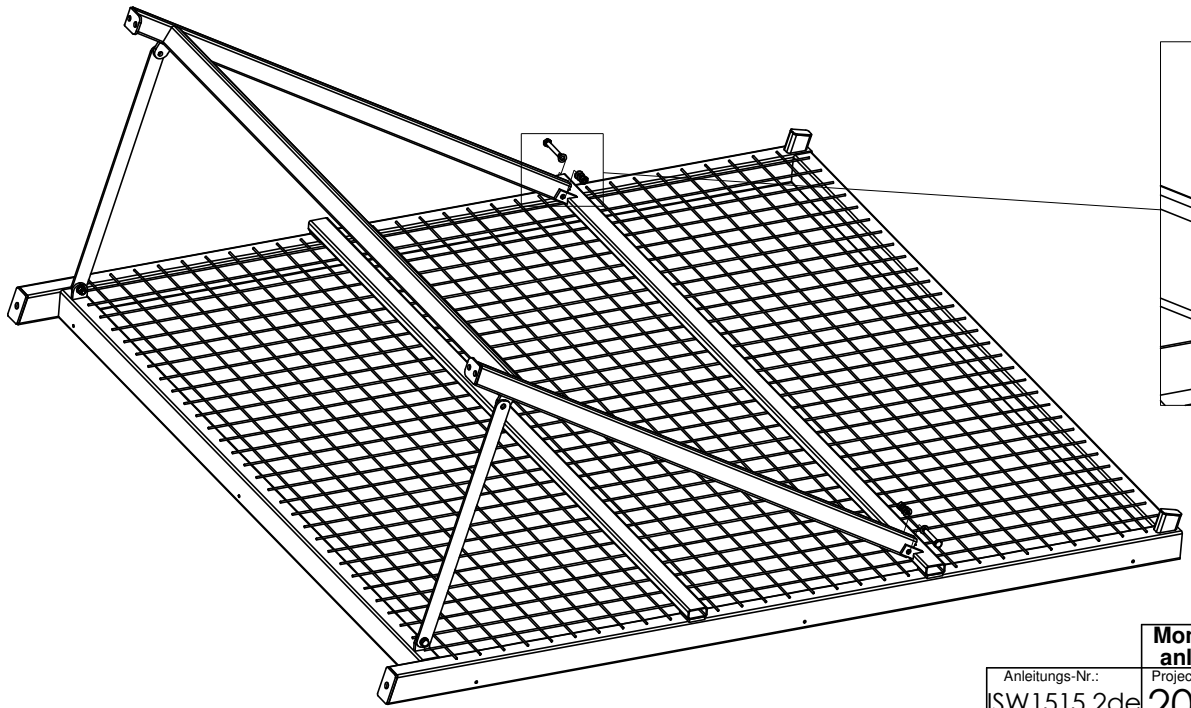
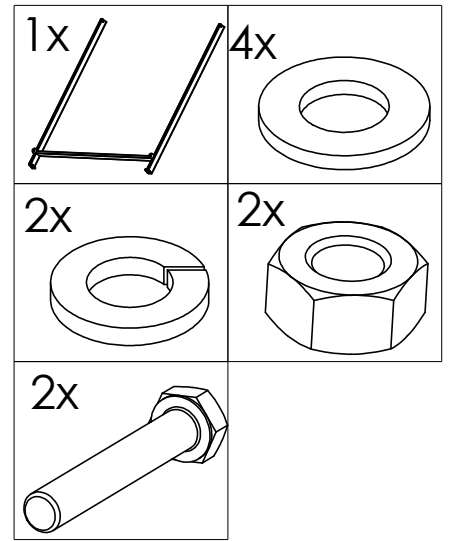
| Assemble instructions | | Product: Display stand 1500x1500 | | |
|---|--------------------------|----------------------------------|---|-----------|
| Instruction no.: ISW1515.2en | Project no.: 2020.071.00 | Version: Bolmin | Created: 2020-03-13 Update: 24.05.2021 | Page: 1z4 |
| STALMIKA Sp z o. o. MYŚLENICE 32-400, ul. Sienkiewicza 21 | | | | STALMIKA |



1

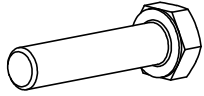


2

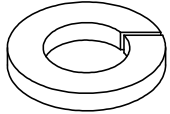


3

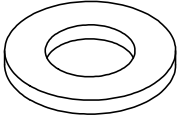
2x



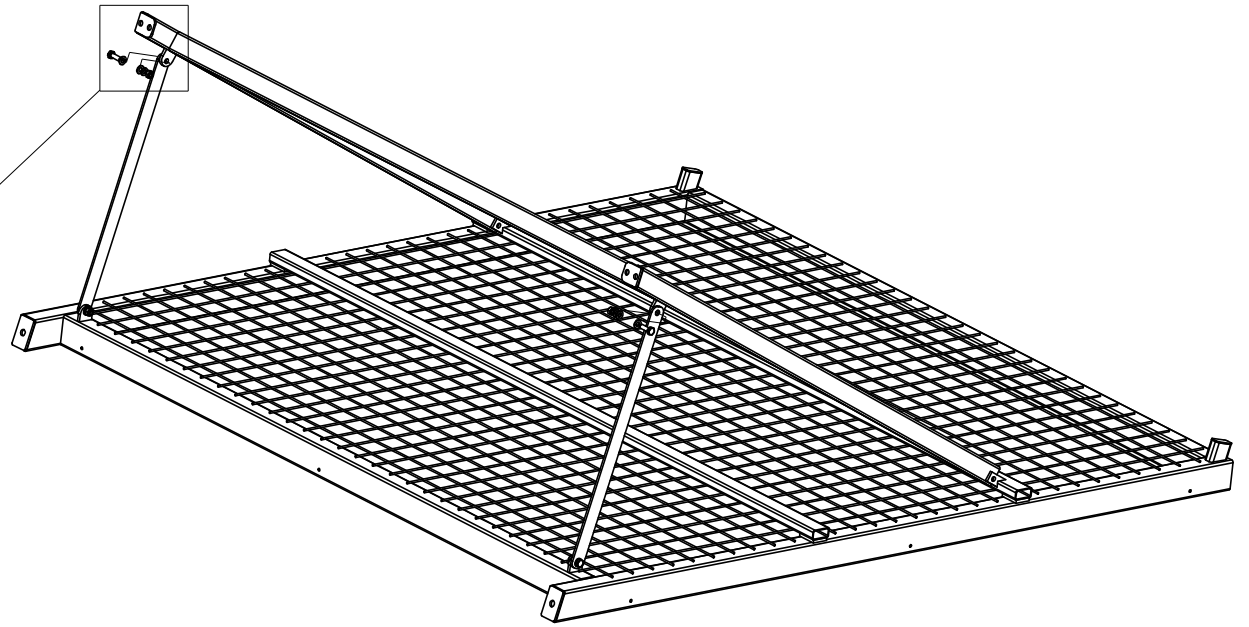
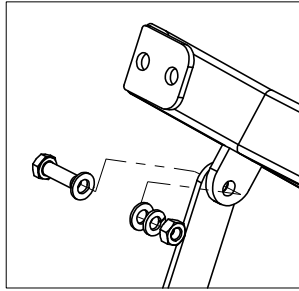
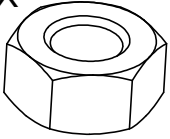
2x



4x

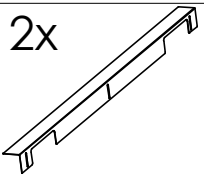


2x

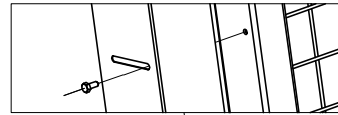
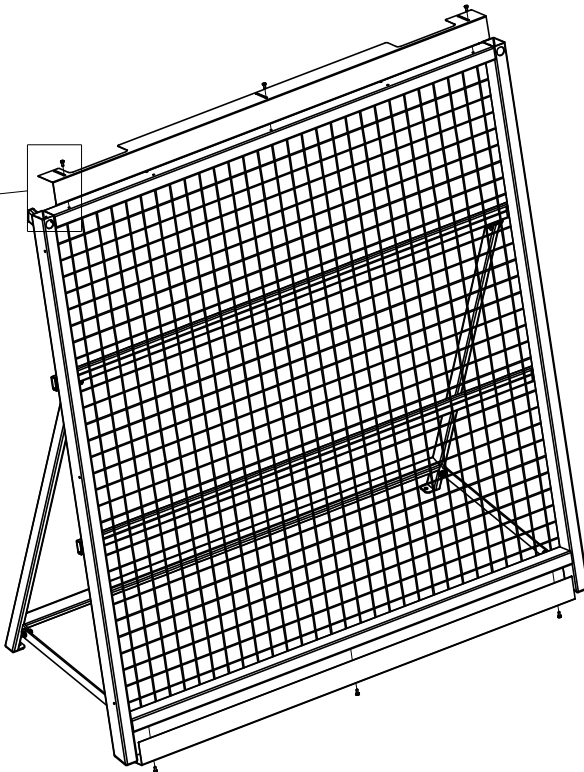
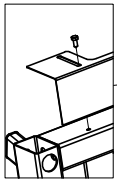


4

2x

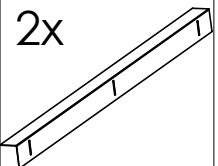


6x

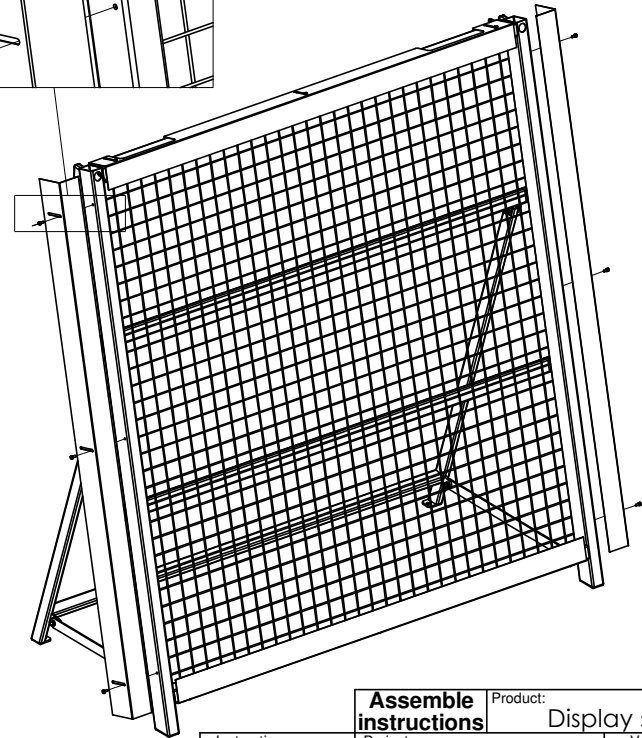


5

2x

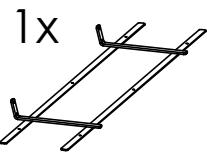


6x

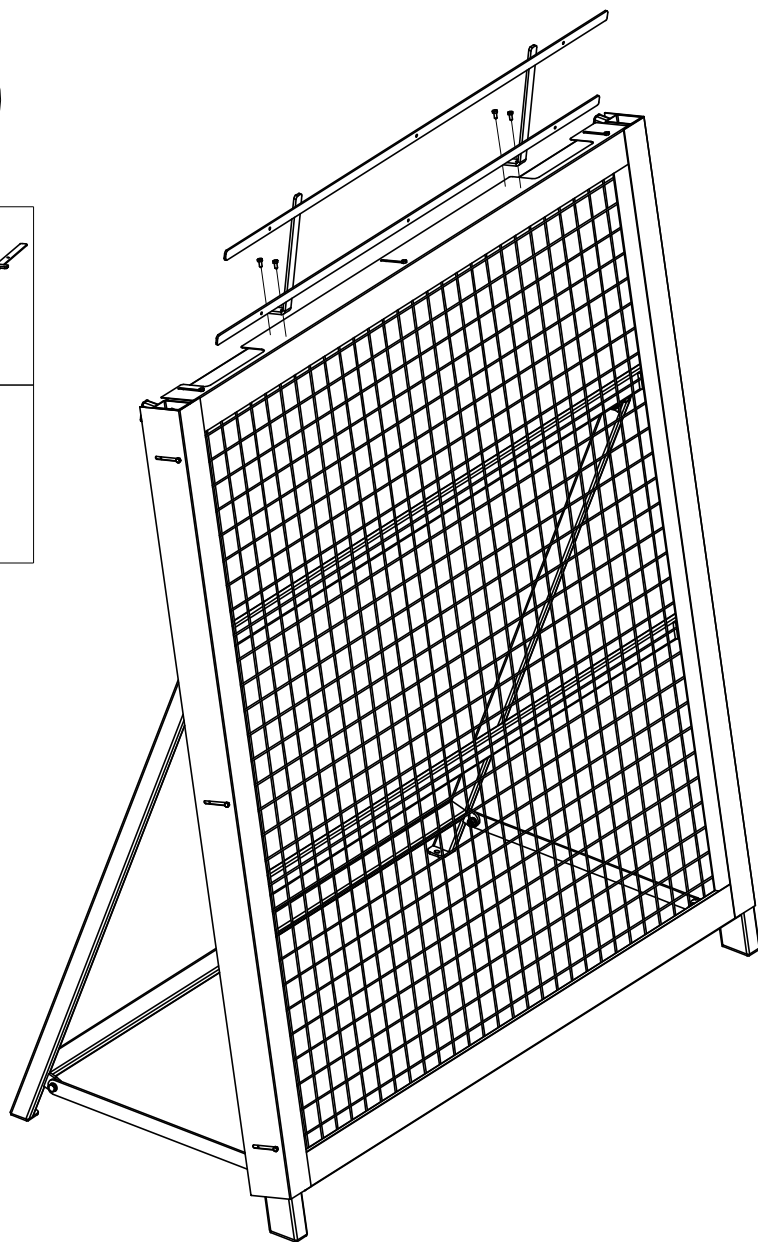
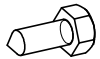


Assemble covers only after applying the display cube (skip the above steps for the basic version without covers !!)

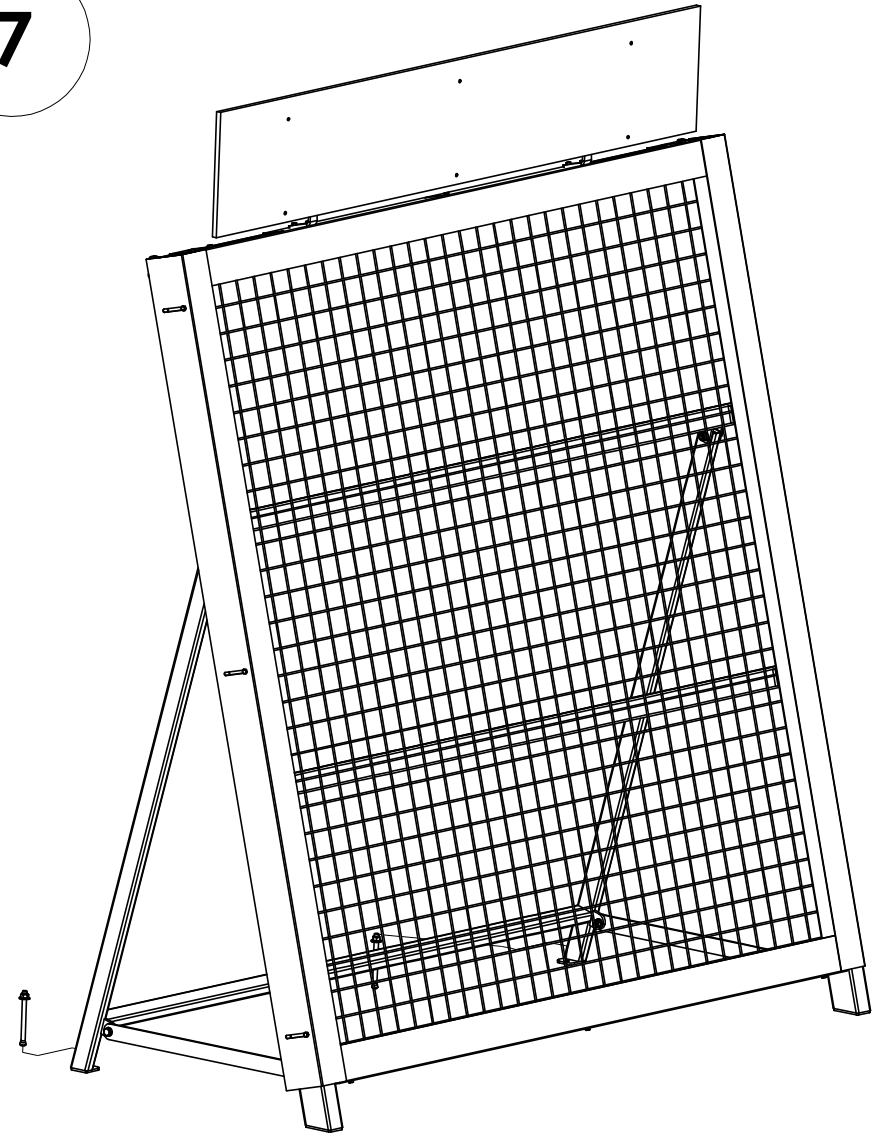
6



4x



7



Note:

Depending on the stand's location, it is recommended to anchor it - Anchors **fi8mm**

- anchors not included
- lenght depends on available substrate (follow general pratice)

| | | | | |
|---|--------------------------|----------------------------------|---|-----------|
| Assemble instructions | | Product: Display stand 1500x1500 | | |
| Instruction no.: ISW1515.2en | Project no.: 2020.071.00 | Version: Bolmin | Created: 2020-03.13 Update: 24.05.2021 | Page: 4/4 |
| STALMIKA Sp z o. o. MYŚLENICE 32-400, ul. Sienkiewicza 21 | | | | STALMIKA |